

## ContourTrenditional-20 Linen Cabinet - WALL HUNG

## Specification & Installation Guide

### Features

- Wall hung linen cabinet 20"(508mm)W x 18"(460mm)D x 71" (1803mm)H
- Bathroom Furniture grade plywood layered with solid wood veneer protected by polyurethane or finished with premium polyurethane solid color paints
- Matching finish inside and out
- 2 equal size reversible doors
- 3 handle options: HY/HR/HP - See below for handle model numbers.
- 1/8" interior mirror on top door
- Bottom cabinet: 1 interior tall drawer & 2 shelves
- Top cabinet:
  - 3 Shelves
  - Electrical outlets 120 VAC, 60HZ, 15A and USB ports
  - Hair dryer, hair straightener and hair brush holders
  - Cosmetic Tray Organizer
  - Magnifying Mirror
- Handle finish options: polished chrome (PC), brushed nickel (BN), polished nickel (PN), matte black (MB) and satin brass (SB)
- Cabinet furnished assembled

### Package dimension

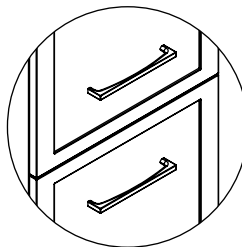
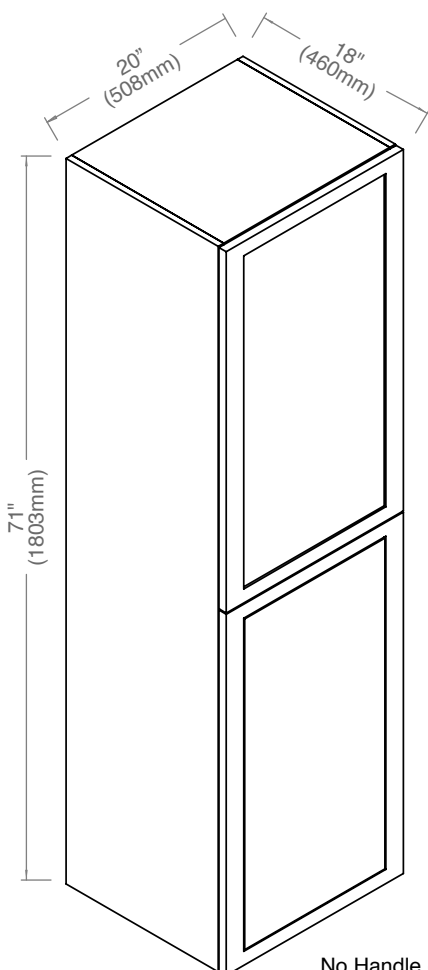
23"(584mm) x 21"(533mm) x 73"(1854mm)

### Gross weight

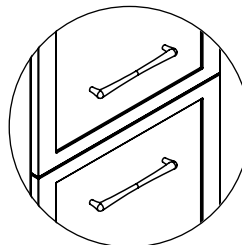
120 lbs / 55 kgs

### Finishes

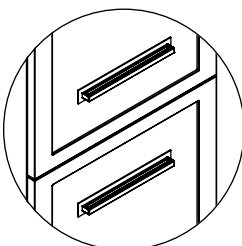
- Brandy (BR)
- Sapphire (SA)
- Studio Grey (TG)
- Walnut (WA)
- White (WH)



HY Handle



HR Handle



HP Handle

No Handle (NP)



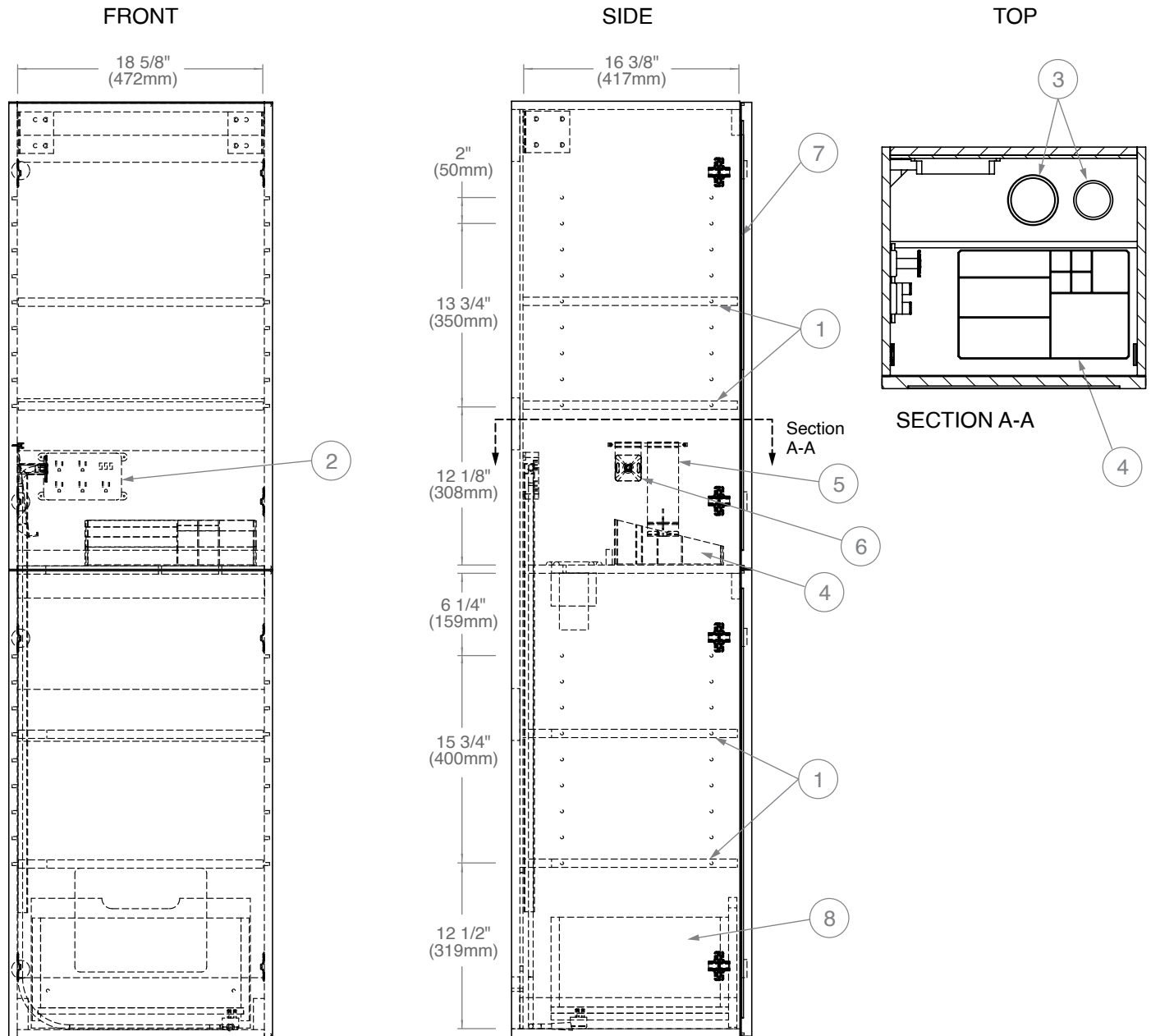
For clarification, please contact Madeli Customer Care at (800) 819-6988 Ext.1 or [service@madeli.com](mailto:service@madeli.com)

All dimensions are approximate and subject to standard tolerance. Specifications subject to change without prior notice.

01 | Page

## ContourTrenditional-20 Linen Cabinet - WALL HUNG

## Specification & Installation Guide



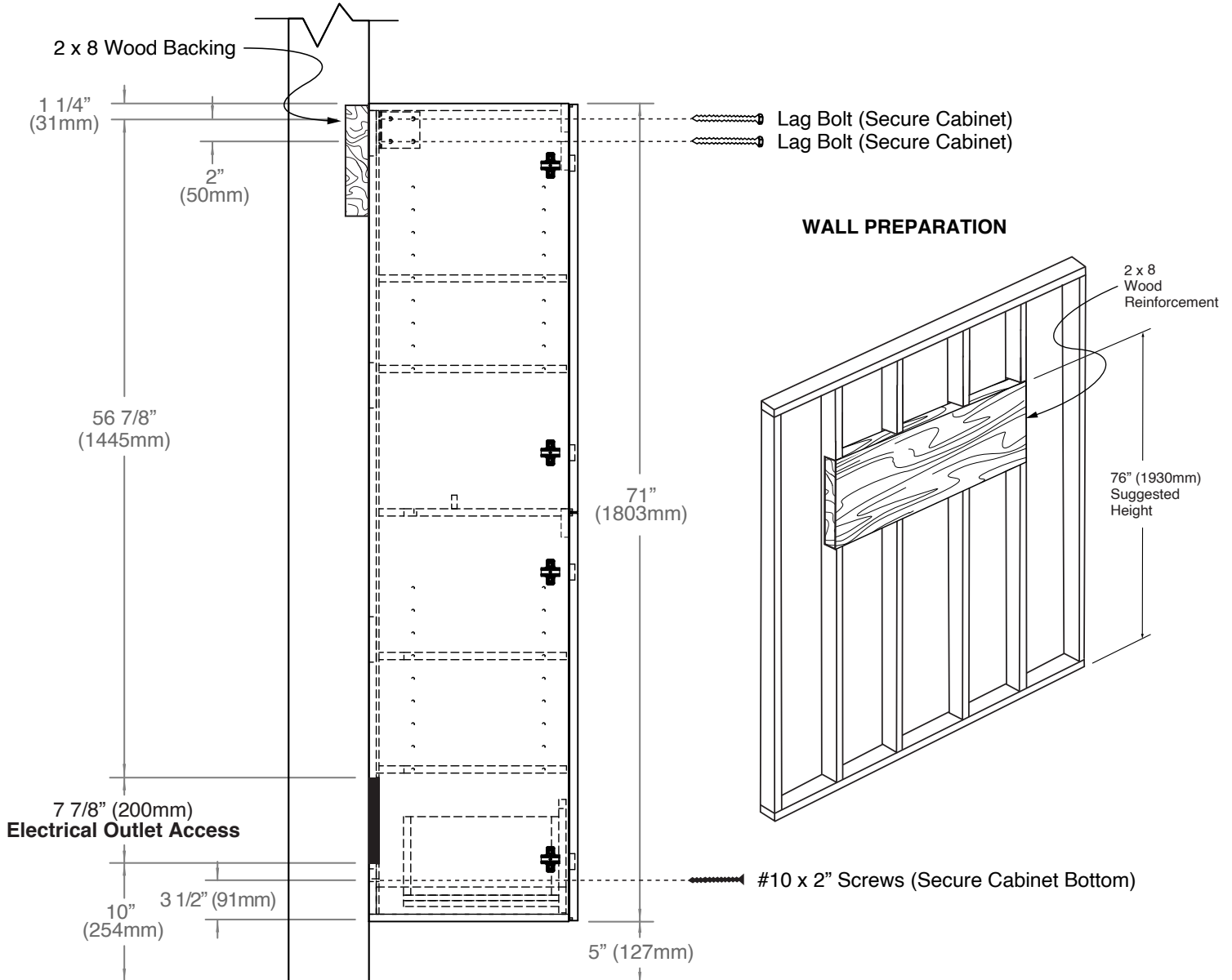
- |   |                           |
|---|---------------------------|
| 1) Adjustable shelves                                   | 5) Phone holder           |
| 2) Electrical outlets 120 VAC, 60HZ, 15A and USB ports  | 6) Cord organizer         |
| 3) Hair dryer, hair straightener and hair brush holders | 7) Mirror (on door panel) |
| 4) Cosmetic tray organizer                              | 8) Interior tall drawer   |

For clarification, please contact Madeli Customer Care at (800) 819-6988 Ext.1 or [service@madeli.com](mailto:service@madeli.com)  
All dimensions are approximate and subject to standard tolerance. Specifications subject to change without prior notice.

## ContourTrenditional-20 Linen Cabinet - WALL HUNG

## Specification & Installation Guide

### TYPICAL INSTALLATION



### ACCESSORIES FOR INSTALLATION



Anchors  
x6



#10 x 2"  
Screws  
x2



Lag Bolts  
5/16 x 1 1/2"  
x4

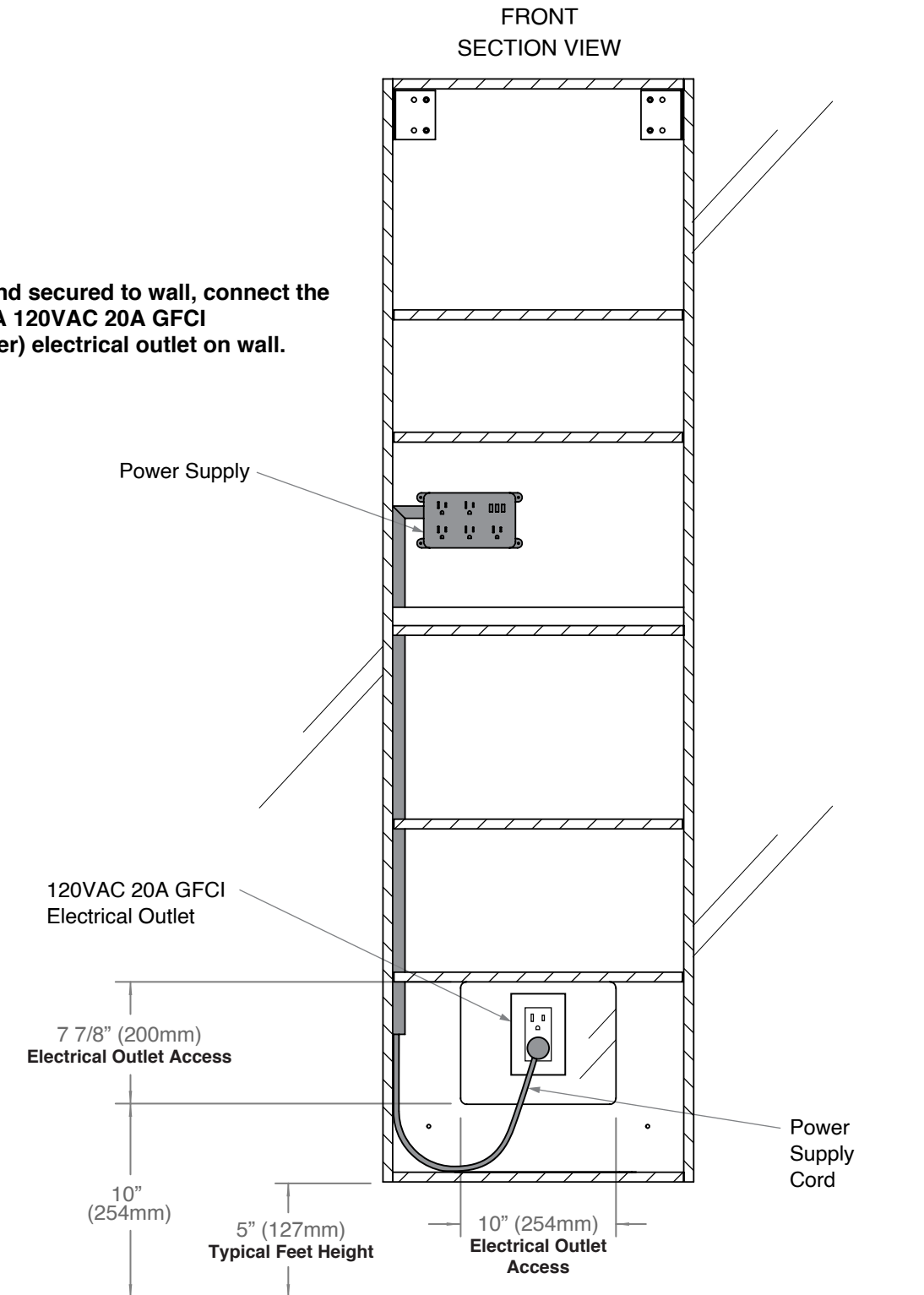
For clarification, please contact Madeli Customer Care at (800) 819-6988 Ext.1 or [service@madeli.com](mailto:service@madeli.com)  
All dimensions are approximate and subject to standard tolerance. Specifications subject to change without prior notice.

## ContourTrenditional-20 Linen Cabinet - WALL HUNG

## Specification & Installation Guide

### ELECTRICAL CONNECTION

After the cabinet is mounted and secured to wall, connect the power supply cord to a Class A 120VAC 20A GFCI (Ground Fault Circuit Interrupter) electrical outlet on wall.



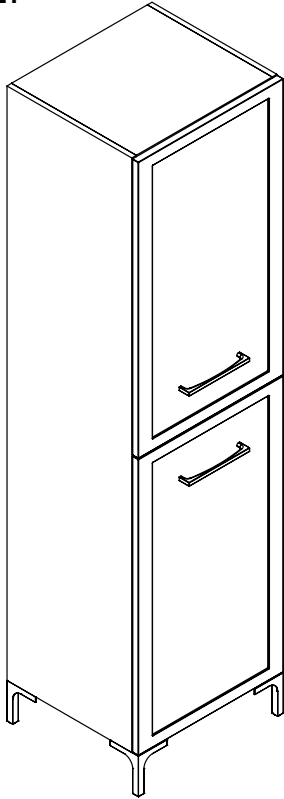
For clarification, please contact Madeli Customer Care at (800) 819-6988 Ext.1 or [service@madeli.com](mailto:service@madeli.com)  
All dimensions are approximate and subject to standard tolerance. Specifications subject to change without prior notice.

04 | Page

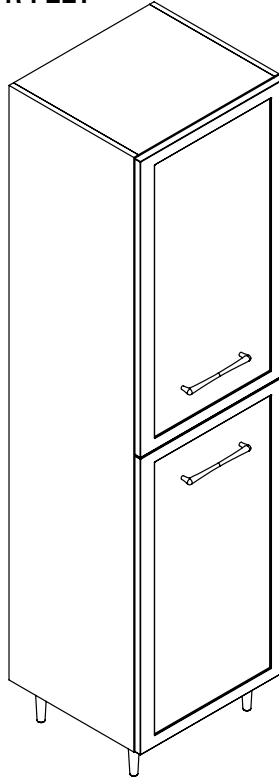
## PortraitTrenditional-20 Linen Cabinet - FREE STANDING

## Specification & Installation Guide

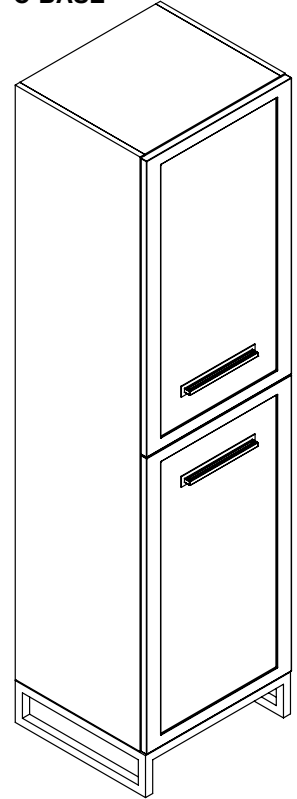
Y-FEET



R-FEET



C-BASE



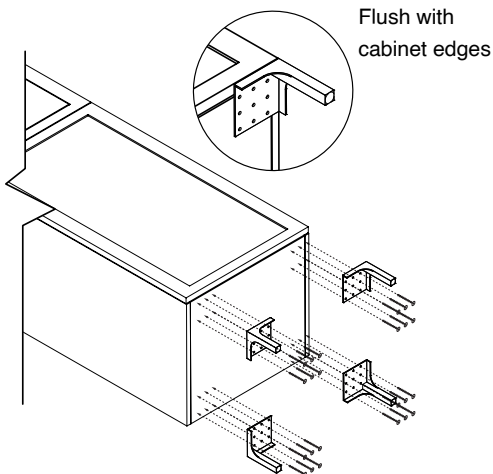
### FEET/BASE INSTALLATION

1. Lay the cabinet on a table.
2. Mark screw locations using legs/base as template.
3. Pre-drill holes with 5/64", 3/32" or 7/64" drill bit about 1/2" deep.
4. Using provided screws, fix legs/base to cabinet as shown below.

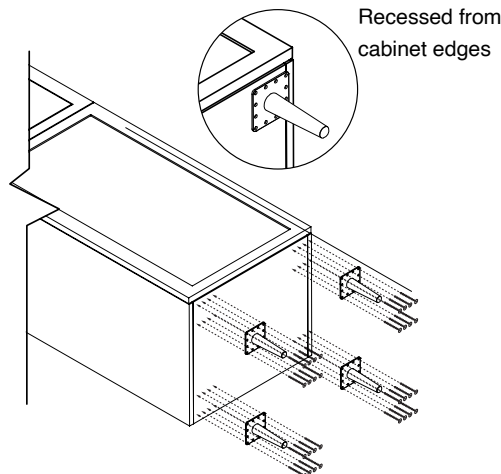
If using a regular battery drill, set clutch to minimum and increase setting as needed.

**DO NOT OVER TIGHTEN THE SCREWS. DOING SO WILL SPLIT THE WOOD SIDE PANEL.**

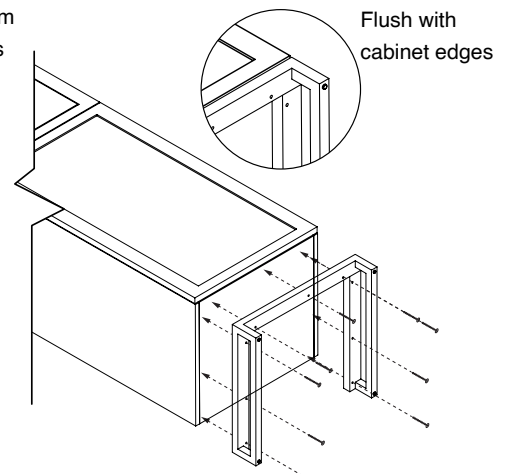
### Y-FEET INSTALLATION



### R-FEET INSTALLATION



### C-BASE INSTALLATION

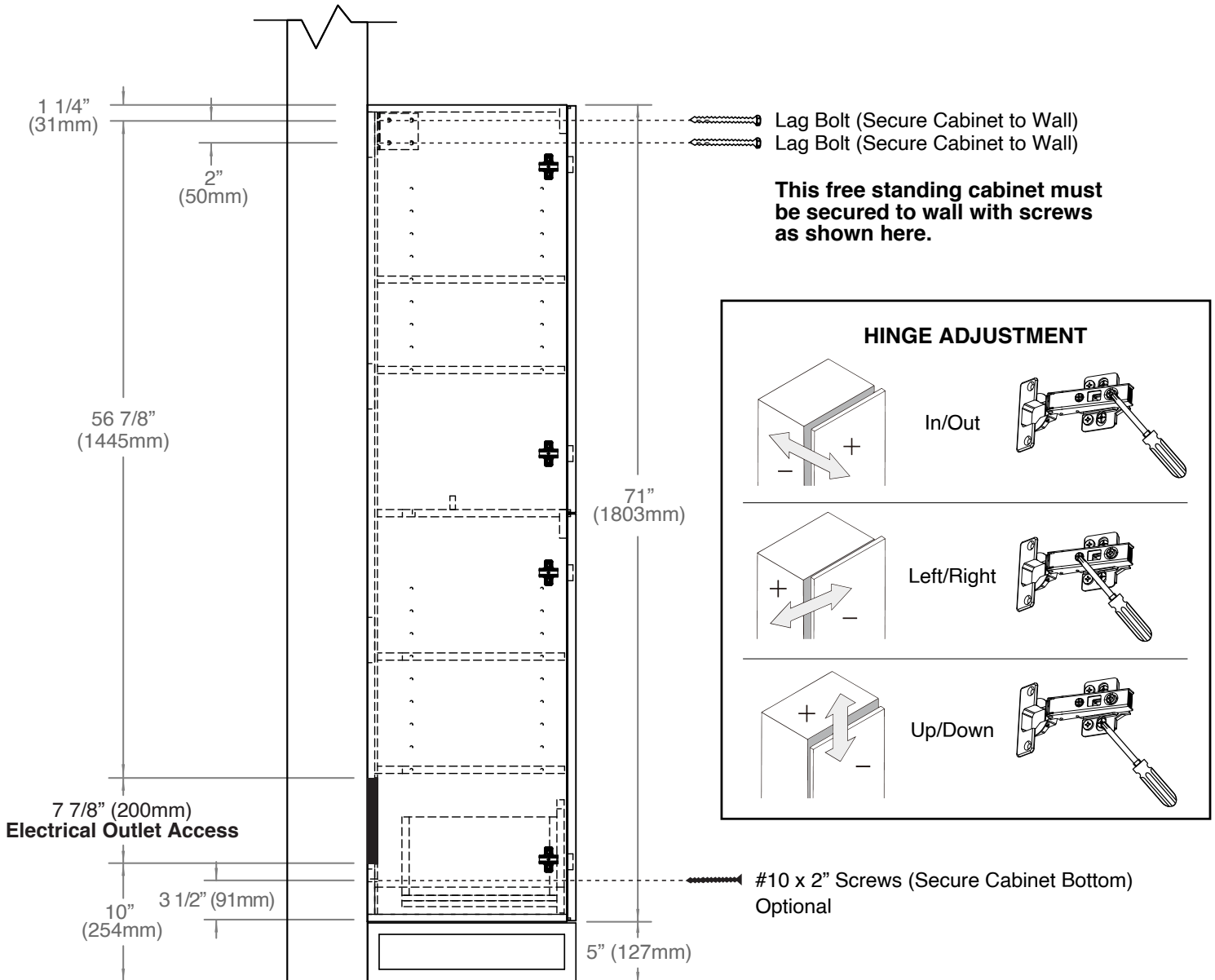


For clarification, please contact Madeli Customer Care at (800) 819-6988 Ext.1 or [service@madeli.com](mailto:service@madeli.com)  
All dimensions are approximate and subject to standard tolerance. Specifications subject to change without prior notice.

## PortraitTrenditional-20 Linen Cabinet - FREE STANDING

## Specification & Installation Guide

### TYPICAL INSTALLATION



### ELECTRICAL CONNECTION

After the cabinet is mounted and secured to wall, connect the power supply plug to a Class A 120VAC 20A GFCI (Ground Fault Circuit Interrupter) electrical outlet on wall as shown on page 4.